

Product Surface Chart



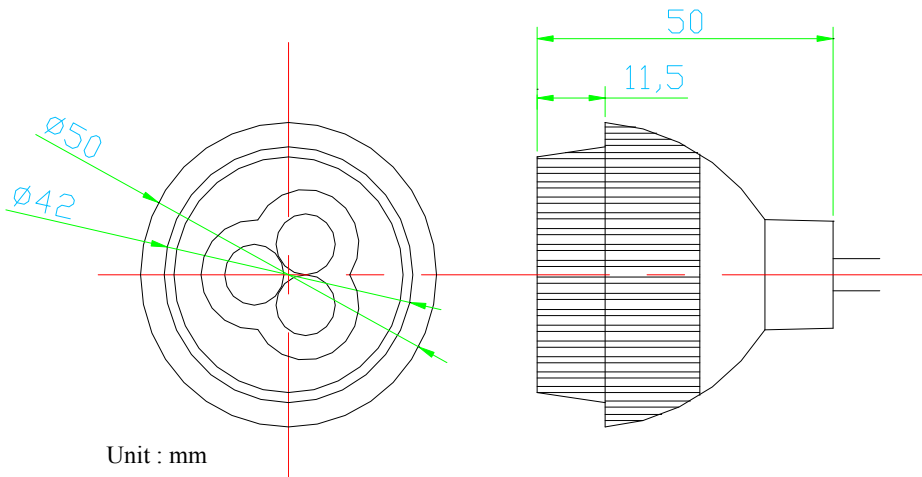
Product Code

LM-0074

Color Code

Color	Code
cool white	W
warm white	V
red	R
green	G
blue	B
yellow	Y

Product Framework Dimension Chart



1. FEATURES

- BULB TYPE: MR16 3x2W LED
- BASE TYPE: GU5.3
- INPUT VOLTAGE: 12V AC/DC with reversed polarity protect
- INPUT POWER: 6W
- OUTPUT POWER: 6.6W
- TOTAL LENGTH: 50mm
- BEAM ANGLE: 30degrees
- REFLECTOR EFFICIENCY: 90%
- LIGHT SOURCE: 3*2W high power LED
- LED OUTPUT CURRENT: 500mA
- BODY TEMPERATURE: <math>< 52^{\circ}\text{C}</math>
- LED WORKING TEMPERATURE: <math>< 62^{\circ}\text{C}</math>
- FULL RANGE OF COLORS: cool white, warm white, blue, green ,red,yellow
- NET WEIGHT: 50g

- ALUMINIUM HOUSING
- NO UV OR IR RADIATION
- SAFETY ASSURANCE: CE&ROHS

Optical Characteristics at Ip=350mA OUTPUT POWER: 3W

part no.	LED Brand	Color	wavelength /CCT (nm/K)	Luminous Flux (LM)	center illuminance @1M/0.5M (LUX)	Dia 60/30CM 1M/0.5M (LUX)	light circle@1M/0.5M (CM)
LM-0074-001	Luxeon	cool white	5000-7000K	315	1150/3850	50/180	90/50
LM-0074-002		warm white	2800-3500K	175	720/1900	35/120	90/50
LM-0074-003		red	625-630nm	189	950/2600	43/135	90/50
LM-0074-004		green	520-525nm	371	1260/3400	58/160	90/50
LM-0074-005		blue	465-470nm	112	1450/4300	70/240	90/50
LM-0074-006		yellow	585-590nm	245	700/1820	35/110	90/50
LM-0074-007	Edison (SL)	cool white	5000-7000K	350-410	1150/3850	50/180	90/50
LM-0074-008		warm white	2800-3500K	280	720/1900	35/120	90/50
LM-0074-009		red	625-630nm	245	950/2600	43/135	90/50
LM-0074-010		green	520-525nm	385	1260/3400	58/160	90/50
LM-0074-011		blue	465-470nm	140	1450/4300	70/240	90/50
LM-0074-012		yellow	585-590nm	394	700/1820	35/110	90/50
LM-0074-013	Cree	cool white	5000-7000K	560	1200/3600	220/310	90/50
LM-0074-014		warm white	2800-3500K	280-350	800/2800	200/260	90/50

Contact Information

Lumen8 Lighting Inc.
 10 Sandford Fleming Drive
 Collingwood, Ontario L9Y-4V7

Cando@GoLED.com
 Tel: 705. 443. 8445
 Fax: 705. 443. 8009