

MR16 3X2W

Product Surface Chart



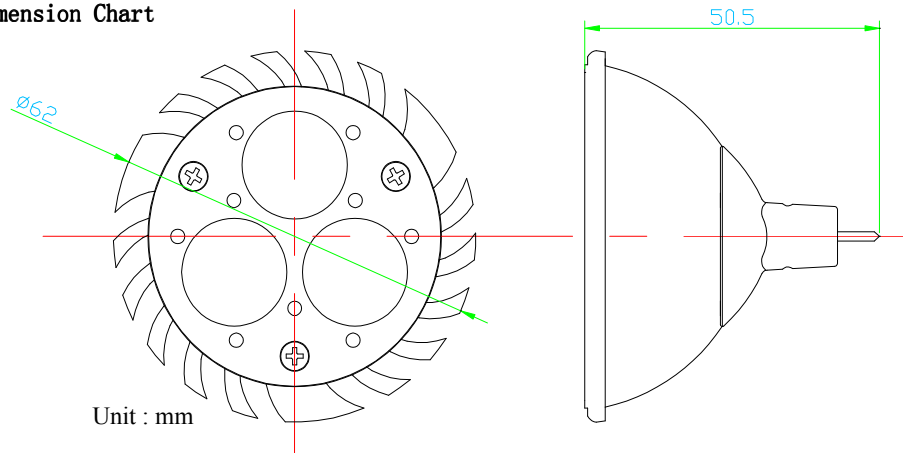
Product Code

LM-0047

Color Code

Color	Code
cool white	W
warm white	V
red	R
green	G
blue	B
yellow	Y

Product Framework Dimension Chart



A. FEATURES

- BULB TYPE: MR16 3X2W LED Bulb
- BASE TYPE: GU5.3
- INPUT VOLTAGE: 12V AC/DC with reversed polarity protect
- OUTPUT POWER: 6W
- TOTAL LENGTH: 51mm(including pins)
- BEAM ANGLE: 15/30/45/60degrees
- REFLECTOR EFFICIENCY: 90%
- LIGHT SOURCE: 3X2W high power LED
- INPUT CURRENT: 500mA
- BODY TEMPERATURE: <52°C
- LED WORKING TEMPERATURE: <58°C
- FULL RANGE OF COLORS: cool white, warm white, blue, green ,red,yellow
- NET WEIGHT: 75g

- ALUMINIUM HOUSING
- NO UV OR IR RADIATION
- SAFETY ASSURANCE: CE&ROHS

3.1 Optical Characteristics at Ip=500mA OUTPUT POWER: 6.0W

part no.	LED Brand	Color	wavelength /CCT (nm/K)	Luminous Flux (LM)	center illuminance @1M/0.5M (LUX)	Dia 60/30CM 1M/0.5M (LUX)	light circle 1M/0.5M (CM)
LM-0047-001	Luxeon	cool white	5000-7000K	315	1410/5500	250/370	100/55
LM-0047-002		warm white	2800-3500K	175	1130/4800	200/310	100/55
LM-0047-003		red	625-630nm	189	800/3340	175/270	100/55
LM-0047-004		green	520-525nm	371	960/3730	180/280	100/55
LM-0047-005		blue	465-470nm	112	1950/7840	300/420	100/55
LM-0047-006		yellow	585-590nm	245	400/1650	90/120	100/55
LM-0047-007	Edison (SL)	cool white	5000-7000K	350-410	1410/5500	250/370	100/55
LM-0047-008		warm white	2800-3500K	280	1130/4800	200/310	100/55
LM-0047-009		red	625-630nm	245	800/3340	175/270	100/55
LM-0047-010		green	520-525nm	385	960/3730	180/280	100/55
LM-0047-011		blue	465-470nm	140	1950/7840	300/420	100/55
LM-0047-012		yellow	585-590nm	394	400/1650	90/120	100/55
LM-0047-013	Cree	cool white	5000-7000K	560	1340/5000	280/350	100/55
LM-0047-014		warm white	2800-3500K	280-350	1250/4300	200/320	100/55

Contact Information

Lumen8 Lighting Inc.
 10 Sandford Fleming Drive
 Collingwood, Ontario L9Y-4V7

Cando@GoLED.com
 Tel: 705.443.8445
 Fax: 705.443.8009