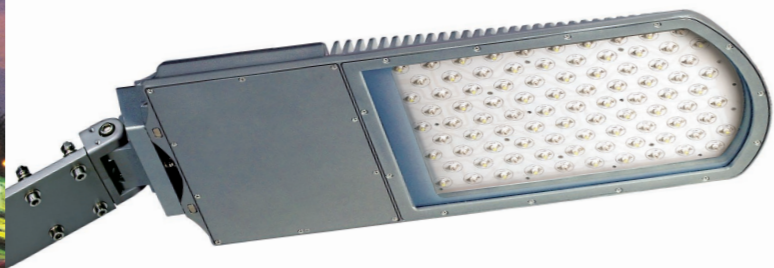




Technical Specifications



90 LED High Power Street Light Series

LED STREET LIGHT SERIES



Item No.	NEOJ2020-00	NEOJ2020-10
Type	90 LED High Power Street Light Head Unit	90 LED High Power Street Light (Single Head)
Light source	90x1W high power LEDs	90x1W high power LED
Color temperature	2000K±200K; 6500K±500K	2000K±200K; 6500K±500K
Luminous flux	4025Lm	4025Lm
Average Illumination	14Lux/7m	14Lux/7m
Area of Illumination	±10.5m	±10.5m
Input voltage,frequency	100-240V AC, 50/60Hz	100-240V AC, 50/60Hz
LED operating current	24V DC	24V DC
Total LED power	114W	114W
Installation tube diameter	Ø60mm (Max.)	NA
Peak wattage of solar module	NA	NA

Note

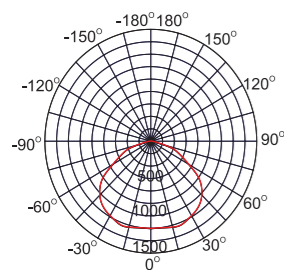


The Auto Switching Technology(AST) sensor is located on the adjoining bracket between the pole coupler and the LED fixture. AST works by Auto Switching "turning on" the High Power LED Street Light when the luminance of sunlight is lower than 13LUX and off again when a LUX factor greater than 13 is sensed.

AST=Automatic Switching Technology

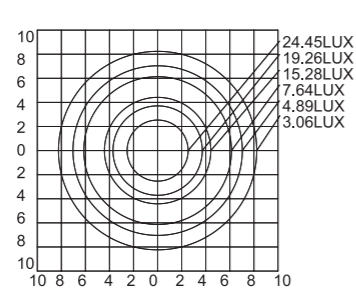
CE, RoHS, IP65

Candle Power Distribution



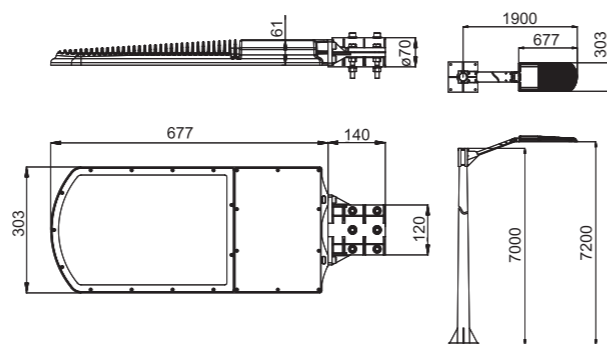
Max. Light Intensity: 1237.09 cd

ISO-Illuminance Curve



Height: 7m
Max. Illumination: 35.57LUX

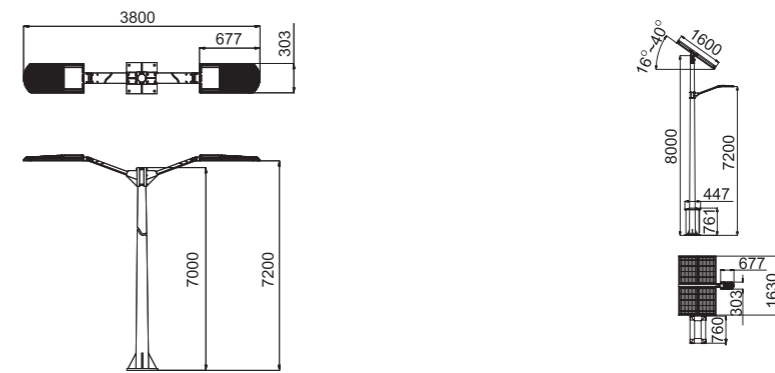
Dimensions of Framework



NEOJ2020-00

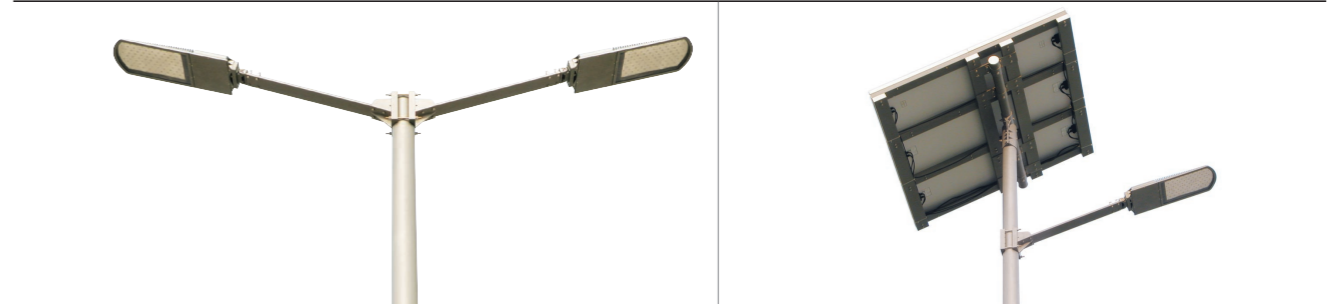
NEOJ2020-10

Dimensions of Framework



NEOJ2020-20

NEOJ2020-11



Item No.	NEOJ2020-20	NEOJ2020-11
Type	90 LED High Power Street Light (Double Head)	90 LED High Power Solar Street Light (Single Head)
Light source	90x1W high power LEDx2	90x1W high power LED
Color temperature	2000K±200K; 6500K±500K	2000K±200K; 6500K±500K
Luminous flux	4025Lm	4025Lm
Average Illumination	14Lux/7m	14Lux/7m
Area of Illumination	±12m	±10.5m
Input voltage,frequency	100-240V AC,50/60Hz	NA
LED operating current	24V DC	24V DC
Total LED power	114WX2	90W
Installation tube diameter	NA	NA
Peak wattage of solar module	NA	330Wp

Battery: Maintenance free battery 100AH/24V 10 Hours per day / 5 days total running time on a fully charged battery. (Typical)

Specially designed controller:

- Light Control
- Over Charge Protection
- Over Discharge Protection
- Auto Switching to Mains (when battery falls below a predetermined level)