

## PAR36 9X1W

### Product Surface Chart



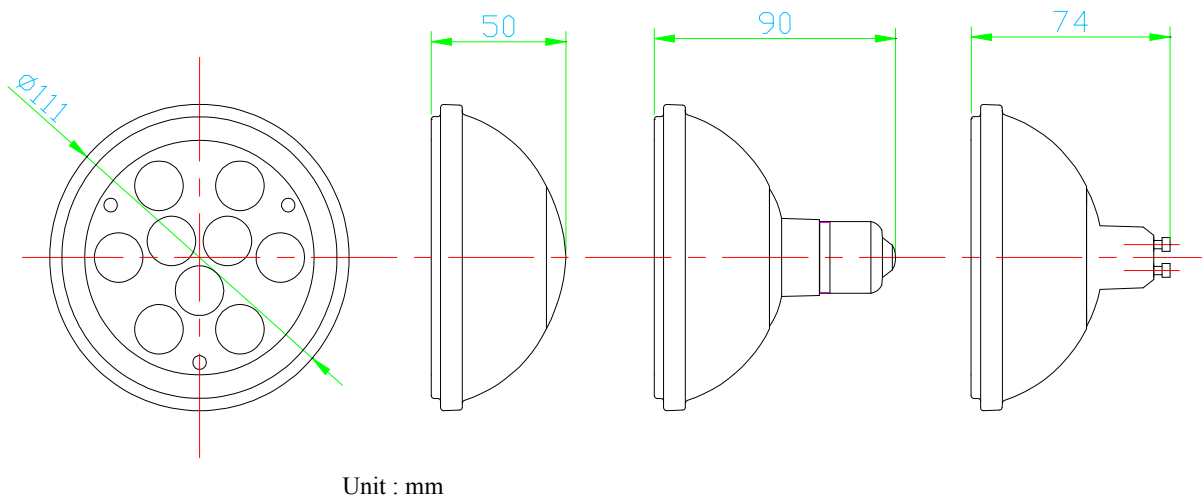
### Product Code

LM-0051

### Color Code

Color	Code
cool white	W
warm white	V
red	R
green	G
blue	B
yellow	Y

### Product Framework Dimension Chart



### A. FEATURES

- BULB TYPE: AR111 LED Bulb
- BASE TYPE: 3 PIN E27 GU10
- INPUT VOLTAGE: 85-260V AC with reversed polarity protect
- OUTPUT POWER: 9W
- TOTAL LENGTH: 50 90 74 mm(including pins)
- BEAM ANGLE: 15/30/45/60degrees
- REFLECTOR EFFICIENCY: 90%
- LIGHT SOURCE: 9X1W high power LED
- INPUT CURRENT: 50mA
- BODY TEMPERATURE: <48°C

- LED WORKING TEMPERATURE: <55°C
- FULL RANGE OF COLORS: cool white, warm white, blue, green ,red,yellow ,RGB
- NET WEIGHT: 350g
- ALUMINIUM HOUSING
- NO UV OR IR RADIATION
- SAFETY ASSURANCE: CE&ROHS

### 3.1 Optical Characteristics at Ip=350mA OUTPUT POWER: 9W

part no.	LED Brand	Color	wavelength/ CCT (nm/K)	Luminous Flux (LM)	center illuminance @1M/0.5M (LUX)	Dia 60/30CM 1M/0.5M (LUX)	light circle 1M/0.5M (CM)
LM-0051-001	Luxeon	cool white	5000-7000K	405	2550/8800	160/400	100/50
LM-0051-002		warm white	2800-3500K	180	1800/5300	130/330	100/50
LM-0051-003		red	625-630nm	243	2000/6100	170/450	100/50
LM-0051-004		green	520-525nm	477	2450/8100	260/700	100/50
LM-0051-005		blue	465-470nm	144	3000/10000	200/650	100/50
LM-0051-006		yellow	585-590nm	315	800/2510	80/170	100/50
LM-0051-007	Edison (SL)	cool white	5000-7000K	450	2550/8800	160/400	100/50
LM-0051-008		warm white	2800-3500K	225	1800/5300	130/330	100/50
LM-0051-009		red	625-630nm	315	2000/6100	170/450	100/50
LM-0051-010		green	520-525nm	495	2450/8100	260/700	100/50
LM-0051-011		blue	465-470nm	180	3000/10000	200/650	100/50
LM-0051-012		yellow	585-590nm	378	800/2510	80/170	100/50
LM-0051-013	Cree	cool white	5000-7000K	720	3600/12400	600/1100	100/50
LM-0051-014		warm white	2800-3500K	558	3500/12000	620/800	100/50

### Contact Information

Lumen8 Lighting Inc.  
 10 Sandford Fleming Drive  
 Collingwood, Ontario L9Y-4V7

Cando@GoLED.com  
 Tel: 705. 443. 8445  
 Fax: 705. 443. 8009